

Product Specification

STATIC-GARDE

Spin Rinse Ionizer (I4009749a)

SRI Spin Rinse Ionizer

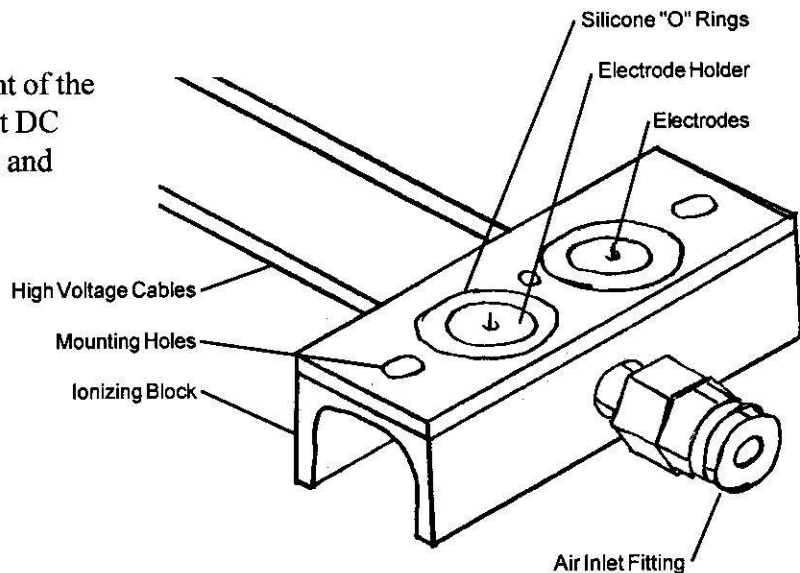
Specifications:

- * Ionizer Block dimensions: 1" wide x 2.813" long x 0.875" tall
- * Emitter pin spacing: 0.906"
- * Replaceable etched tungsten electrodes.
Silicone "O" ring seal with teflon electrode holders, countersunk.
- * Mounting holes 0.219" dia., 2.188" apart
- * Air supply fitting: 1/4" tubing, fitting protrudes 0.688" from block
- * Cable length: 28" including male connector
- * Ionizer Block Material: Black Delrin
- * 3 to 5 psi recommended range of operation

Applications:

Used with S7 and S10 Power Modules. Spin Rinse Ionizers neutralize static electricity and eliminate surface contamination in critical environments such as wafer spin rinsers. The buildup of friction due to water and the spinning motions of products and carrier can cause the surfaces of non-conductive and semiconductive materials to become excessively charged. Charges may exceed 10,000 volts and damage the product.

Spin Rinse Ionizers ionize the environment of the rinsing / drying chamber directly using constant DC operation to insure balanced output of positive and negative ions.



Specifications subject to change without notice.